

FEATURES

- 3-pole IEC320-C6 AC inlet, Class I
- Output voltage range from +5V to +24V
- 2 year warranty

ELECTRICAL SPECIFICATIONS

- Input range : 90 - 264VAC
- Frequency : 47 - 63Hz
- Inrush current : < 20A peak @115VAC; < 40A peak @230VAC cold start @25°C
- Input current (rms) : 2A @90VAC; 1A @264VAC max.
- Efficiency : > 75% @full load, 115VAC
- Maximum output power (Po) : 42Watts
- Hold-up time : > 10ms typical @full load, 115VAC
- Output regulation : ±5% (5V ~ 9V), ±3% (10V ~ 24V)
- Ripple & Noise : ±1%
- Short Circuit Protection: Auto-recovery
- Over Load Protection: Auto-recovery
- Over Voltage Protection: Auto-recovery

ENVIRONMENTAL

- Operating temperature : 0 to +60°C (Derate linearly 2.5% per °C from 41 to 60°C)
- Storage temperature : -10°C to +70°C
- Humidity: 20% ~ 90%.
- MTBF : > 80,000 hours at full load and 25°C ambient temperature

DC OUTPUT & FEATURES

Model	Output Rating		Po	Model	Output Rating		Po
PW-020A-1Y05B1	5V	4A	20W	PW-036A-1Y17B1	17V	2.11A	36W
PW-027A-1Y09B1	9V	3A	27W	PW-042A-1Y18B1	18V	2.32A	42W
PW-027A-1Y10B1	10V	2.7A	27W	PW-042A-1Y19B1	19V	2.21A	42W
PW-027A-1Y11B1	11V	2.45A	27W	PW-042A-1Y20B1	20V	2.1A	42W
PW-036A-1Y12B1	12V	3.0A	36W	PW-042A-1Y21B1	21V	2.0A	42W
PW-036A-1Y13B1	13V	2.76A	36W	PW-042A-1Y22B1	22V	1.91A	42W
PW-036A-1Y14B1	14V	2.57A	36W	PW-042A-1Y23B1	23V	1.82A	42W
PW-036A-1Y15B1	15V	2.4A	36W	PW-042A-1Y24B1	24V	1.75A	42W
PW-036A-1Y16B1	16V	2.25A	36W				

Note: 1. Ripple and noise are measured at oscilloscope 20MHz bandwidth by a 10uF electrolytic capacitor and a 0.1uF ceramic capacitor in parallel at output connector.



RoHS Compliant

Dimension : L106 x W60 x H30 mm (4.17" x 2.36" x 1.18")

Weight : 0.25 kgs. (0.55 lbs.)

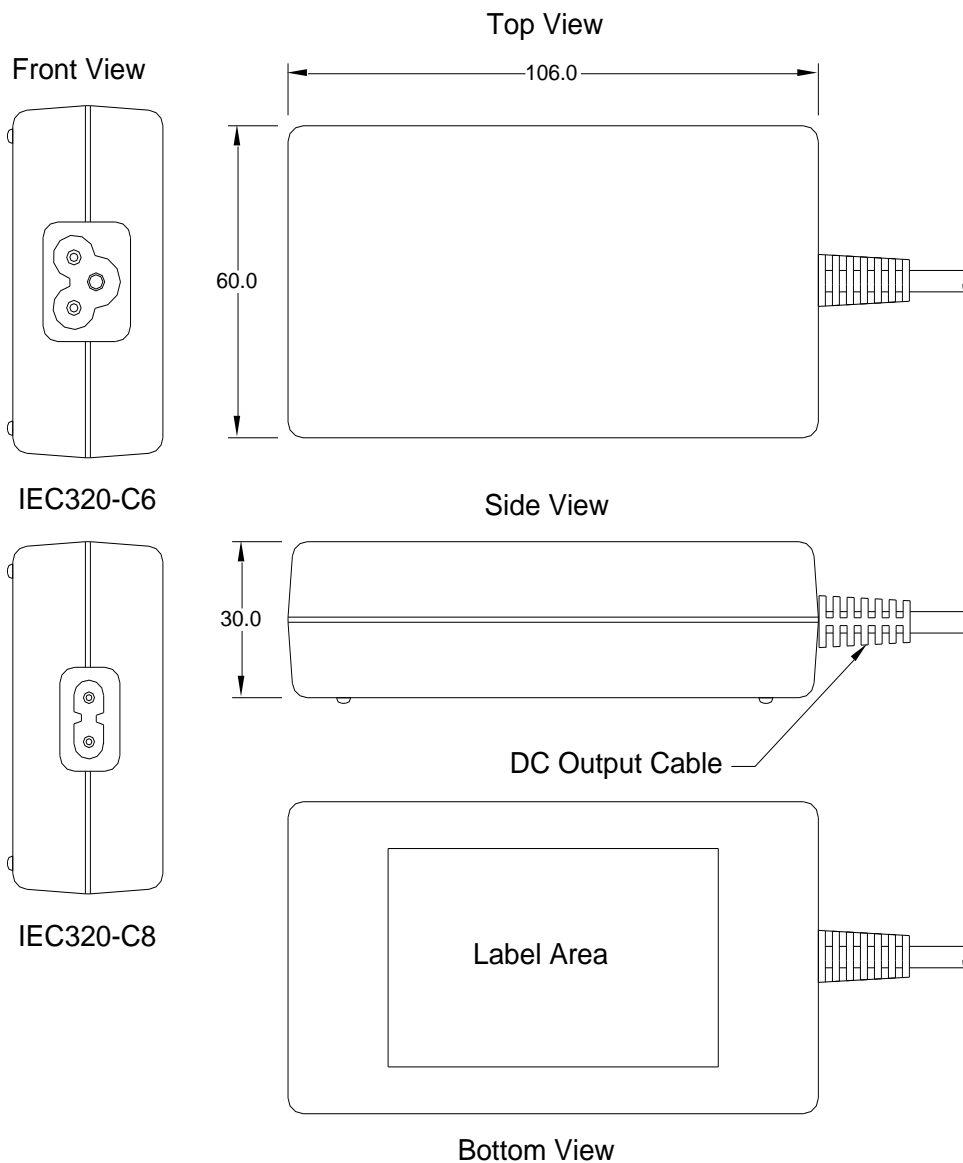
SAFETY STANDARDS

UL 60950-1
CSA C22.2-No.60950-1
TUV EN60950-1
CB IEC 60950-1

EMC STANDARDS

FCC Class B
CISPR22 Class B
EN 55022 Class B
CE

MECHANICAL SPECIFICATION



- Note:
1. AC Inlet : IEC320-C6 or IEC320-C8
 2. Plastic Case Color : Black
 3. Tolerance : $\pm 0.5\text{mm}$
 4. Unit : mm

STANDARD OUTPUT CABLE

1. AWM 1185 # 18 AWG / 1C + SHIELDING, UL 80°C 300V VW-1, 1050 mm.
2. AWM 2464 # 18 / 20 AWG / 4C + SHIELDING, UL 80°C 300V VW-1, 1050 mm.
3. Depends on customers requirements.